

**Fig. 34 Coolant Water Pipe Installation**

Cement the water pipe B9 to the body and fix rubber tubes on both on its tips.

**Fig. 35--Assembling the Rear Upright**

Cement E17 to Rear Upright E18 putting D17 in between. Be sure no cement touches D17. Next cement E7 to E18 putting D35 in between. Pass the pre-assembled E29 and E31 through D35, and after passing D39 through the same shaft, fix them by cementing C1 to D35. Assemble the right side Upright in the same way.

**Fig. 36--Rear Upright Installation**

Fix D35 to B2, while inserting Half Shaft into E19. Attach Spring M9 to E29 and insert D22. Then fix D16 and D39 to the body and cement B6 and B4. Pass D22 onto B2, and fix it by cementing C1 to B2.



**Fig. 37--Stabilizer Installation**

Install the left part of rear upright in same way as above (Fig. 36). Then pass B12 and B13 through D20 before you cement them to B2. Pass D37 through B2 and cement C1.

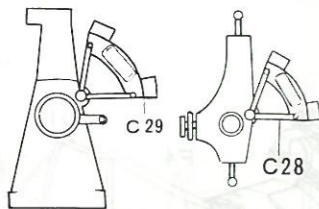
**Fig. 38--Assembling the Stabilizer Rod**

Pass D24 through D23 and heat fix. Fix D23 to the protrusion from E19 and heat fix again. Then insert the tip of D24 into D20. Cement C29 to E18 and E19.

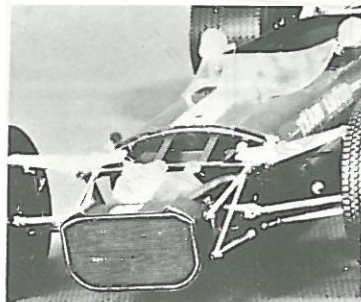
**Fig. 39--Assembling Front Upright**

Cement Brake Caliper C28 to Front Upright E22 referring to the diagram below. Fix D18 to them without cement.

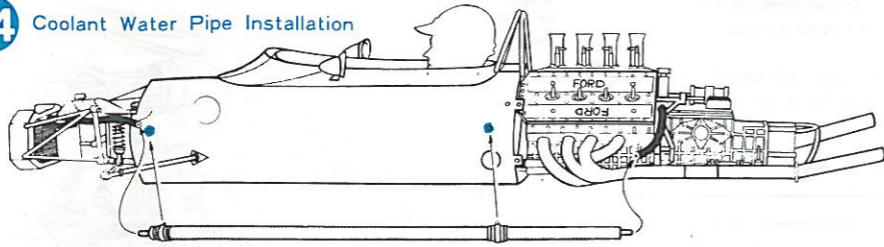
**Position of Disc Caliper**



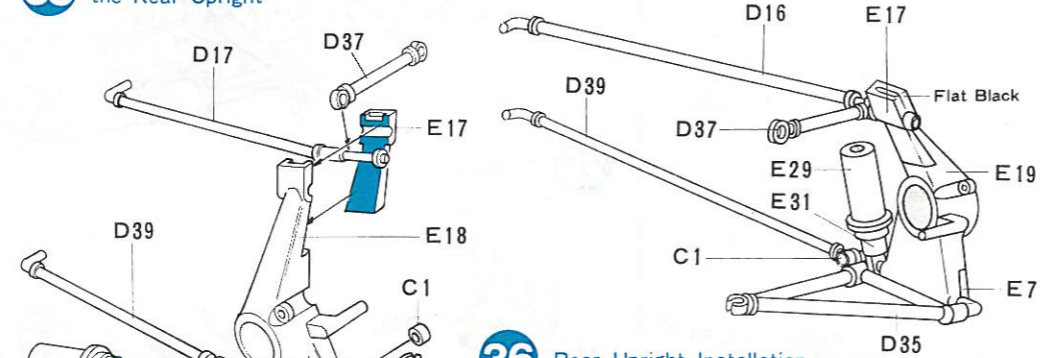
★The completed picture of the front part of the model.



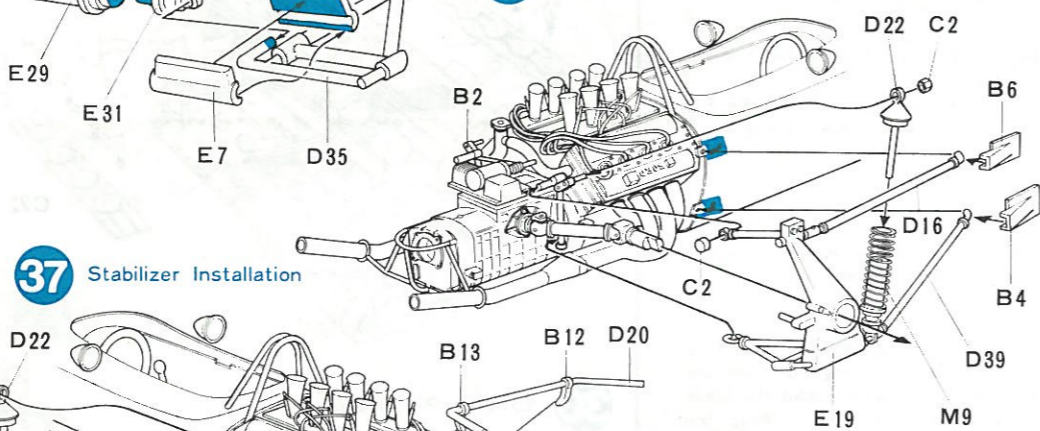
**34 Coolant Water Pipe Installation**



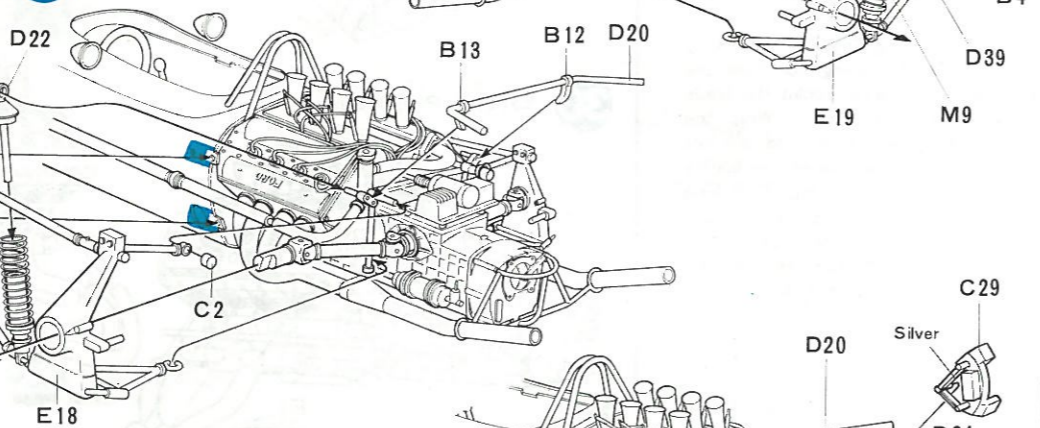
**35 Assembling the Rear Upright**



**36 Rear Upright Installation**

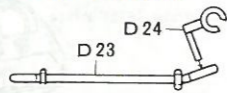


**37 Stabilizer Installation**

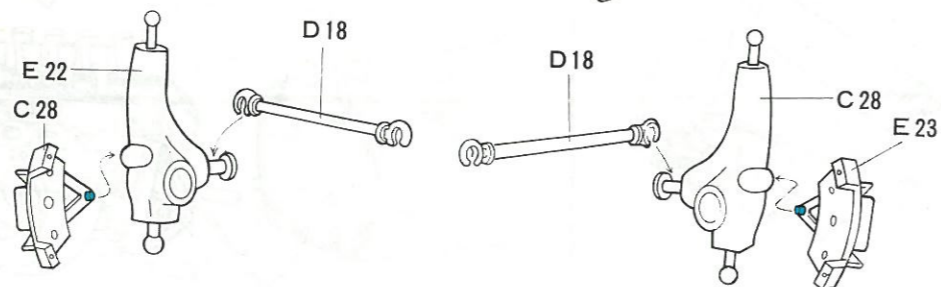


**38 Assembling the Stabilizer Rod**

★Be sure to fix D24 onto the curved end of D23 as shown in diagram.



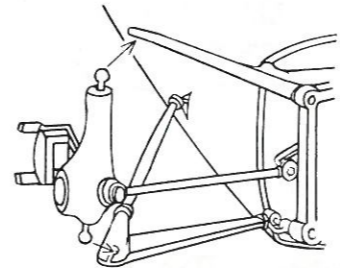
**39 Assembling Front Upright**



**Fig. 40--Front Upright Installation**  
Push in the tip of E22 to the end of D11 and D42.

**Fig. 41--Front Upright Installation**  
Cut Black Tube into two 40mm-long pieces and insert them to the body and Disc Calipers.

40mm



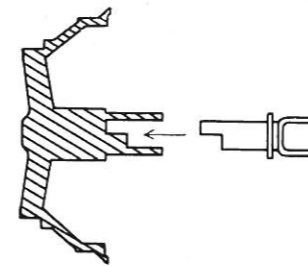
Apply Decal in the diagram to Radiator E5.

**Fig. 42 Assembling the Nose Cowling**  
Cement B7 to A4 before you install A4 by using M7.

**Fig. 43--Assembling the wheels**  
Assemble front wheels by cementing F9 to F10, and rear wheels by cementing F7 to F8. After cementing E15 to the front brake disk E13, fix it to F9. Similarly cement E15 to E14 and fix it to F7. Be sure that cement has been dried completely, and fit the front and rear tires on wheels.

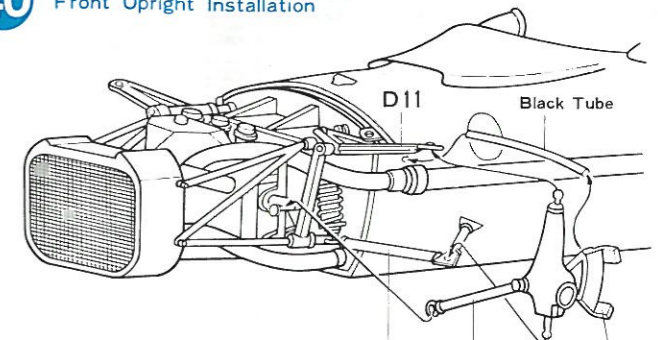
**Fig. 44--Front Wheel Installation**  
Fix the assembled front wheel unit with C13 to the front upright E22.

**Fig. 45--Rear Wheel Installation**  
Insert the half shaft protruding from the rear upright E18 into the rear wheel as illustrated. Cement them together carefully.

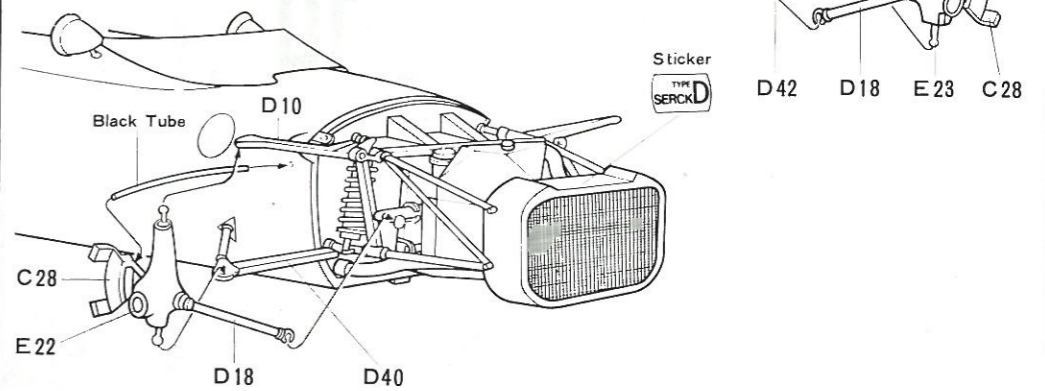


Rear Wheel (inside) Half Shaft

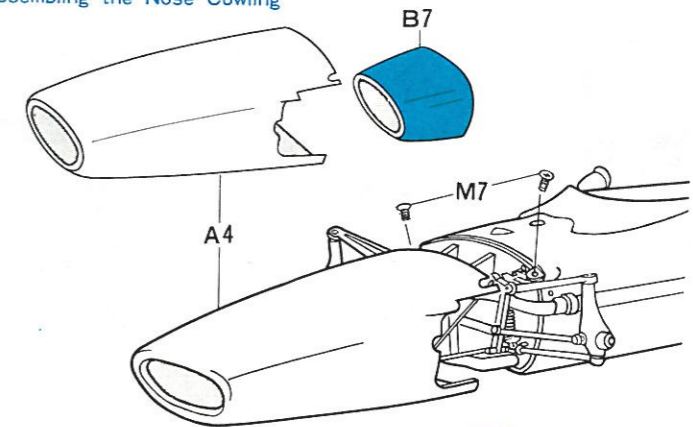
**40 Front Upright Installation**



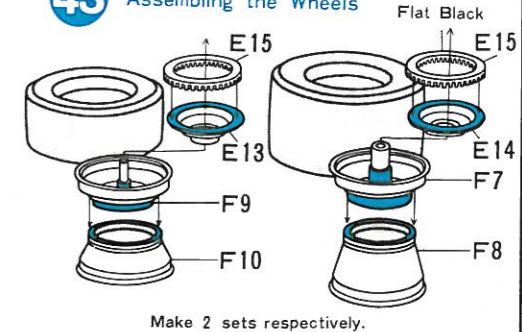
**41 Front Upright Installation**



**42 Assembling the Nose Cowling**

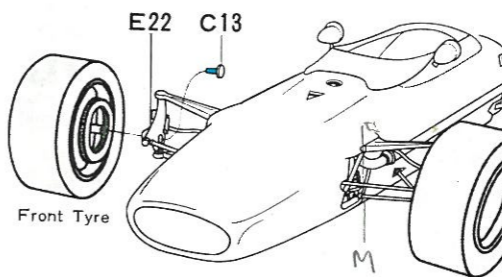


**43 Assembling the Wheels**



Make 2 sets respectively.

**44 Front Wheel Installation**



**45 Rear Wheel Installation**

